

Bourdon tube pressure gauge UHP, stainless steel, safety pattern version Model 232.35

WIKA data sheet PM 02.11



Applications

- Increased safety requirements
- For gaseous and liquid, also corrosive media, also in a corrosive environment, for demanding high purity applications
- For all UHP (Ultra High Purity) applications
- Semiconductor and flat panel industry
- Gas distribution systems, medical gases, hook-up application

Special features

- Safety pressure gauge with solid baffle wall designed in compliance with operational safety requirements of EN 837-1
- VCR® compatible face seal fittings
- Helium leak tested
- Electropolished caset

Description

Design

EN 837-1

Nominal size in mm

63

Accuracy class

1.6

Scale ranges

0 ... 1 to 0 ... 400 bar (0 ... 15 to 0 ... 6000 psi)
or all other equivalent vacuum or combined pressure and vacuum ranges

Pressure limitation

Steady: 3/4 x full scale value
Fluctuating: 2/3 x full scale value
Short time: full scale value



Bourdon tube pressure gauge, UHP model 232.35.63, pressure connection VCR® compatible face seal fitting with union nut

Operating temperature

Ambient: -40 ... +60 °C
Medium: +100 °C maximum

Temperature effect

When the temperature of the measuring system deviates from the reference temperature (+20 °C):
max. ±0.4 %/10 K of full scale value

Ingress protection

IP 54 per EN 60529 / IEC 529

VCR® is a registered trademark of Swagelok

Standard version

Process connection

Stainless steel 316L,

Lower mount (LM) or lower back mount (LBM)

VCR® compatible face seal fittings:

with union nut (female)

with male nut

or with male thread 9/16-18 UNF fixed

Male thread ¼ NPT

Welding connection

Pressure element

Stainless steel 316L,

< 100 bar: C-type

≤ 100 bar: helical type

Leakage proof: leak rate ≤ 10⁻⁹ mbar · l / s

Method of test: helium mass spectrometry

Movement

Stainless steel

Dial

Aluminium, white, with pointer stop pin,

black/red lettering, dual pressure scale psi/bar

Pointer

Aluminium, black

Case

Stainless steel, electropolished, case with solid baffle wall and blow-out back, scale ranges ≤ 0 ... 16 bar (lower mount) with compensating valve to vent case

Window

Polycarbonate

Bezel ring

Cam ring (bayonet type), stainless steel

Cleaning

Cleaned for oxygen service

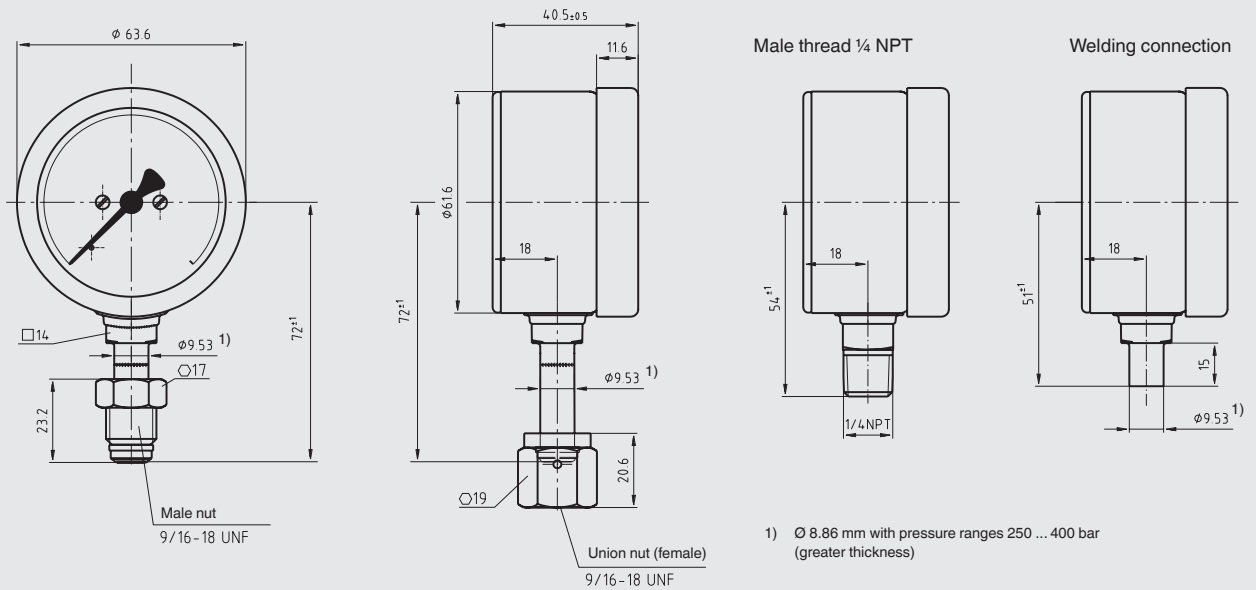
Options

- Other process connection
- Smaller surface finish of the pressure connection
Ra ≤ 0.3 µm
- Scale ranges up to 700 bar with pressure connection
¼ NPT
- Higher accuracy class 1.0
- Panel mounting flange, stainless steel, electropolished,
(with back mount)
- Switch contacts
 - Magnetic snap-action contact (model 821)
 - Inductive contact (model 831)
 - Electronic contact (model 830 E)
 - Reed contact (model 851)

Dimensions in mm

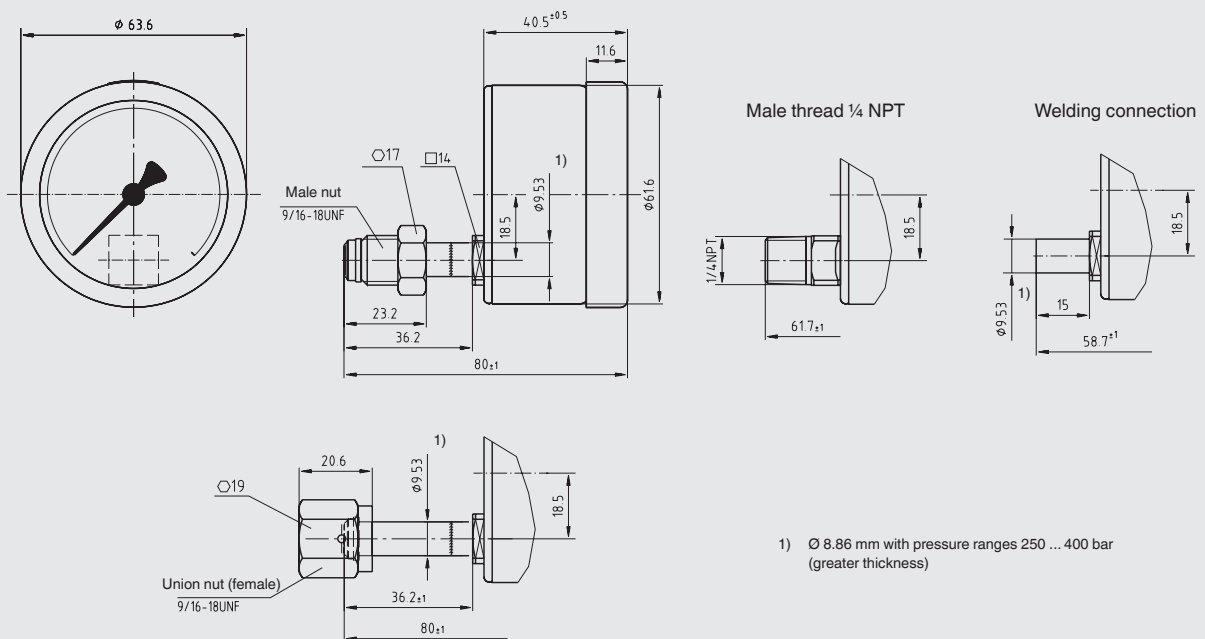
Standard version

Lower mount (LM)



11348054.03

Lower back mount (LBM)



11348062.02

Ordering information

Model / Nominal size / Scale range / Connection size / Connection location / Options

The specifications given in this document represent the state of engineering at the time of publishing.
We reserve the right to make modifications to the specifications and materials.



WIKAI Alexander Wiegand SE & Co. KG
Alexander-Wiegand-Straße 30
63911 Klingenberg/Germany
Tel. (+49) 9372/132-0
Fax (+49) 9372/132-406
E-mail info@wika.de
www.wika.de